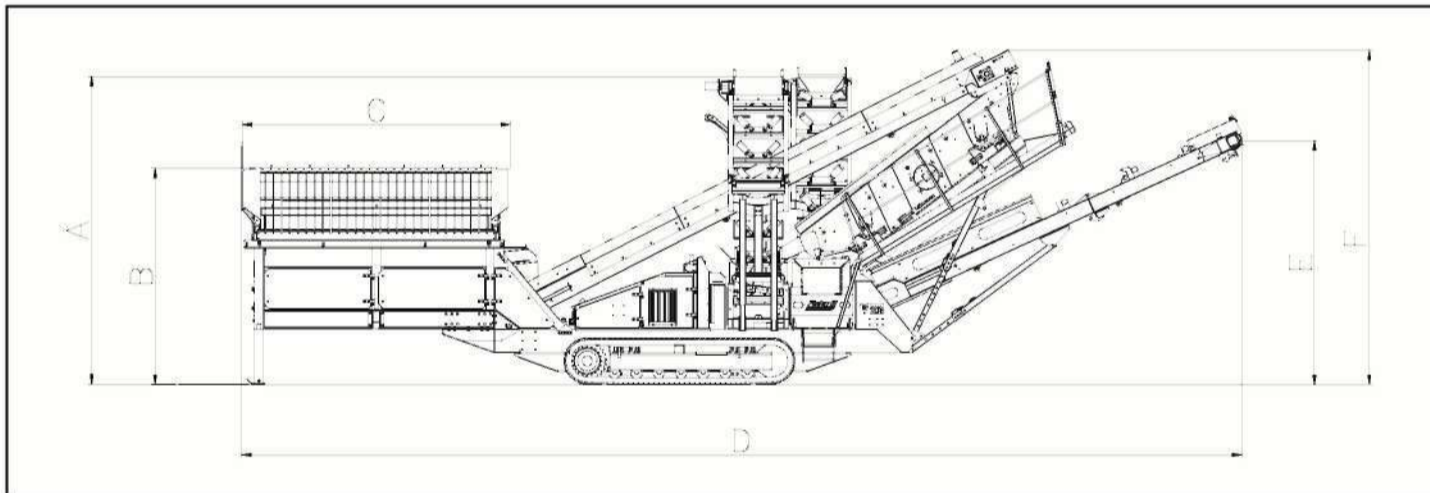


683

683 HYDRASCREEN WORKING DIMENSIONS					
A	B	C	D	E	F
5131mm (16' 10")	3860mm (12' 8")	4250mm (13' 11")	15820mm (51' 11")	4266mm (14' 0")	5711mm (18' 9")

683 HYDRASCREEN TRANSPORT DIMENSIONS		
Length:	Width:	Height:
14.4m (47' 3")	3.0m (9' 10")	3.62m (11' 11")



683

683 SUPERTRAK WORKING DIMENSIONS					
A	B	C	D	E	F
4720mm (15' 6")	3450mm (11' 4")	4250mm (13' 11")	15820mm (51' 11")	3856mm (12' 8")	5300mm (17' 5")

683 SUPERTRAK TRANSPORT DIMENSIONS		
Length:	Width:	Height:
14.4m (47' 2")	3.0m (9' 10")	3.25m (10' 8")