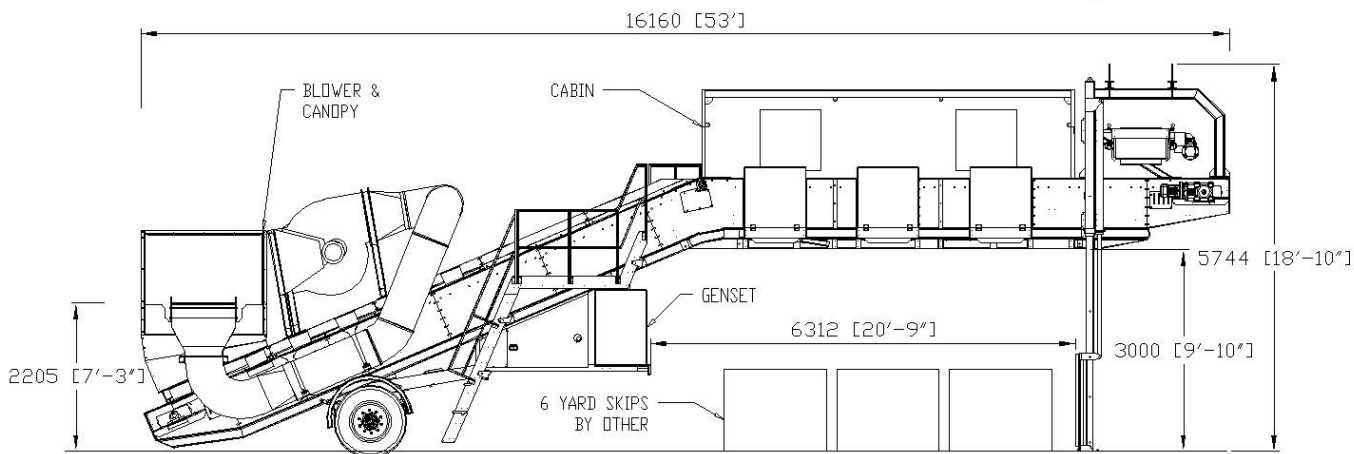
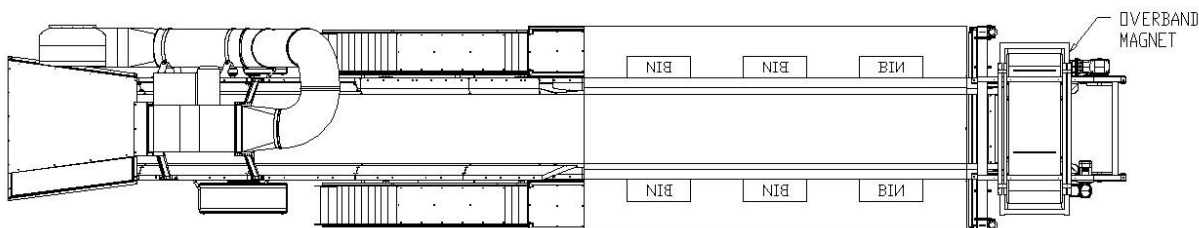
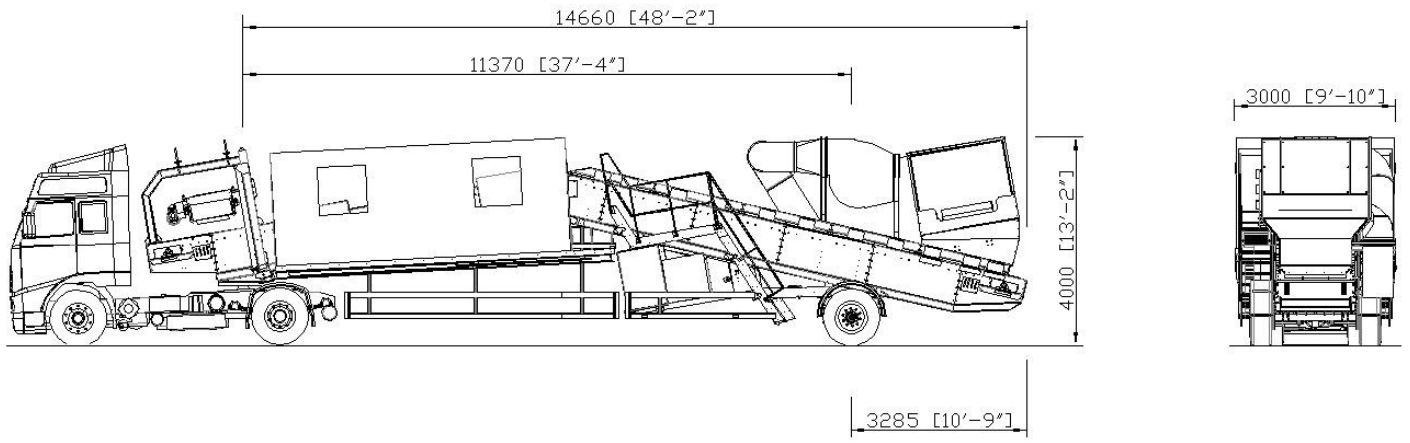


**OPERATING POSITION 2 BAY**



**3 BAY OPTION**



TRANSPORT POSITION