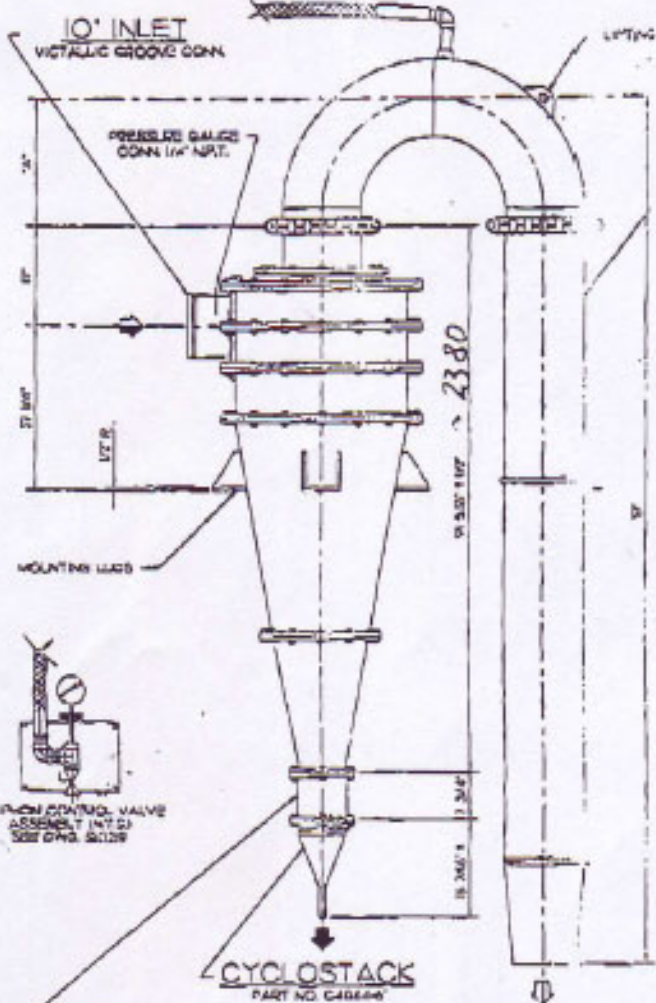
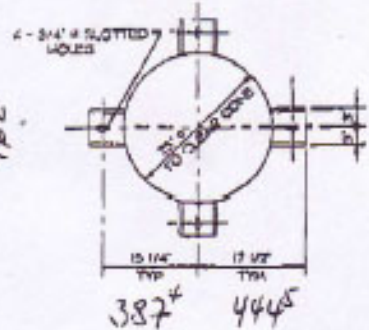
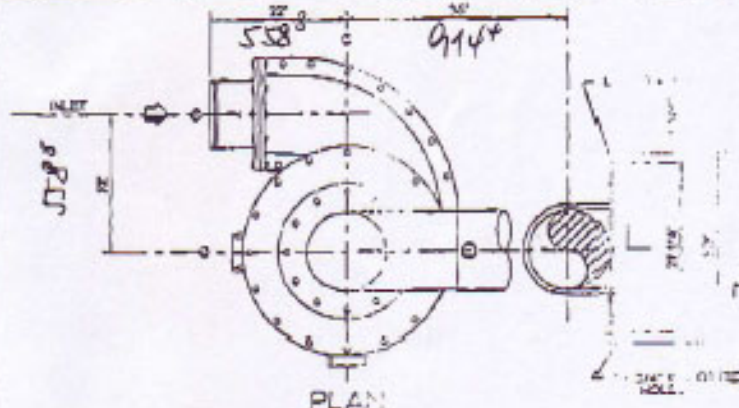


KREBS CYCLONE

MODEL D26B-1701

USE WITH PARTS LIST PL3330-03C



OVERFLOW PIPE ASSEMBLY

ASSEMBLY NO. 0700314022-101

- 10" A - 10" O - 144.500"
- 12" A - 20" O - 144.500"

PRESSURE GAGE & FITTING

- FLANGED - - - - -
- NOT FLANGED - - - - -

- INLET HEAD LNER PART NO. 20155 (10")
- VORTEX FINDER PART NO. 2055 (10")
- APEX ORIFICE PART NO. 1182 (2")
- VALVE ASSEMBLY 13374



REVISION 13374

KREBS ENGINEERS | 1000 CANTON DR. | MERRIDALE, CA 94025

GENERAL ADVANCEMENT
KREBS CYCLONE MODEL D26B-1701
W/ VORTEX FINDER AND SIPHON CONTROL ASST

REV. NO. 9701-850

TOLERANCE SCHEDULE: UNLESS OTHERWISE NOTED

THIS DRAWING IS THE PROPERTY OF KREBS ENGINEERS. IT IS TO BE USED ONLY FOR THE PURPOSES SPECIFIED HEREIN. IT IS TO BE KEPT IN THE ORIGINAL FILE OF THE PROJECT OR DESTROYED IMMEDIATELY THEREAFTER.